



Android based controller Y30

Product Specifications

Version: Ver.2.0

Statement

Dear user friend, thanks for choosing Shanghai Xixun Electronic Technology Co., Ltd. (hereinafter referred to as Xixun Technology) as your LED advertising equipment control system. The main purpose of this document is to help you quickly understand and use the product. We strive to be precise and reliable when writing the document, and the content may be modified or changed at any time without notice.

Copyright

The copyright of this document belongs to Xixun Technology. Without the written permission of our company, no unit or individual may copy or extract the content of this article in any form.

Trademark



is a registered trademark of Xixun Technology.

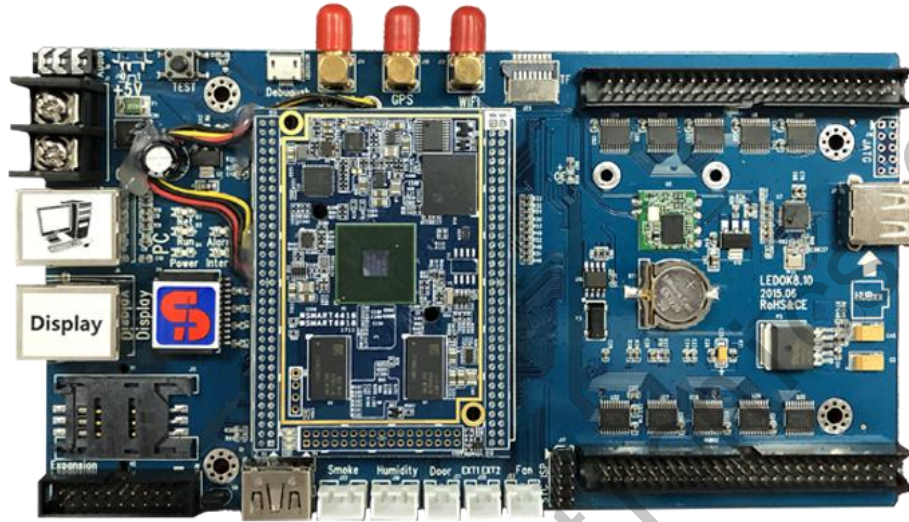
1 Update Record

Serial Number	Version Number	Description of content updates	Revision Date
1	Ver.1.0	First Version	2019.01.01
2	Ver.2.0	Add accessories	2020.03.04

The document is subject to change without prior notice

Shanghai XiXun Electronics Co., Ltd.

2 Product Appearance



Y30 controller

3 Features

Y30 controller is an Android based controller which will work with our new generation receiving card--D90 series, it is a upgraded version of Y10 with a new easier setting software:

1. Support non-Linear editing function;
2. Support video hardware decoding;
3. Support PCI-E 4G module for all channels;
4. On-board WIFI module : Support 650,000 pixels, 1280 max in width and 1024 max in height;
5. HDMI audio/ video output;
6. Support break-point resume and on-board storage to minimum the data flow;
7. Support AIPS cloud platform to manage, edit, publish and analyze in one place.

4Parameter

Type	Smart controller
Mode	Y30
Resolution	Support 650,000 pixels, 1280 max in width and 1024 max in height, need at least one receiving card.
3G/4G	Support
WiFi	Support
LED screen type	Full color
On-board Flash	8GB, up to 32G by TF card
Gray level	65536
LED module	Support module with any scan type within 32 scan
Communication	RJ45/Serial port/ USB port/ 4G I
Audio	Support
GPS	Support and also support fixed point function
Camera	Support
Read back display content	Support

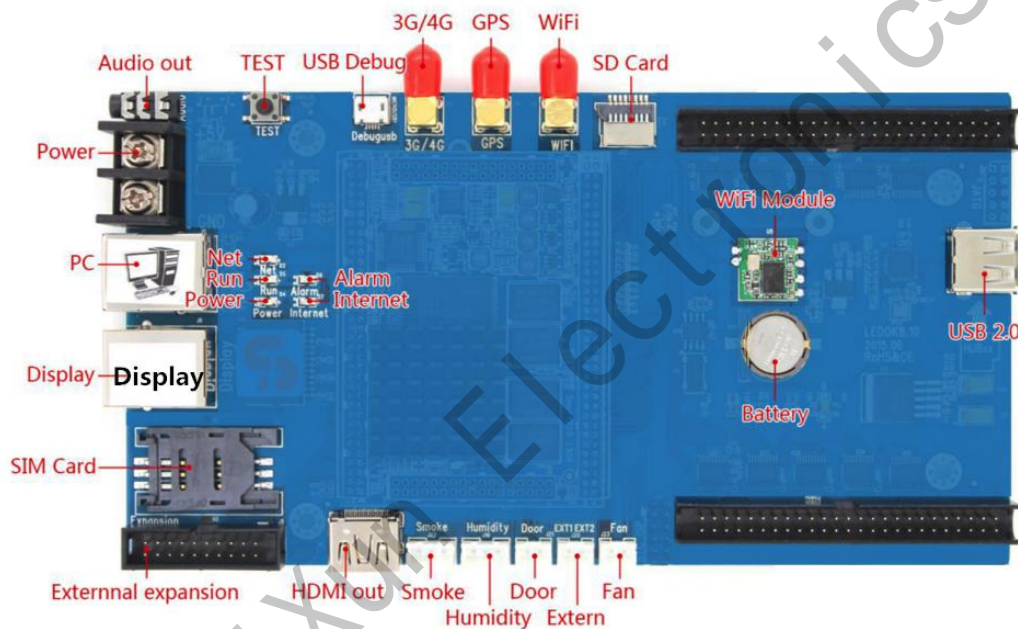
Display in schedule	Support
Video format	AVI,WMV,MPG,MOV,DAT,VOB,MP4,FLV
Animation format	GIF, SWF
Image format	Bmp, jpg, gif, wmf, ico
Text	Support
Clock	Support digital and simulation clock
Timing	Support timing and count down
Software	Cloud platform AIPS (www.ledaips.com)
Setting software	LedOK Express/LedSet3.0
Receiving card	D90 series

5 Resolution and communication

Mode	Mode with box	Communication	Resolution
Y30-WiFi	Y30-WiFi-Box	RJ45, USB, WiFi	Default: 1280 in width (max), 1024 in height (max) (Custom version to support 1920 in width maximum)
Y30-4G	Y30-4G-Box	RJ45, USB, WiFi, 3G, 4G	

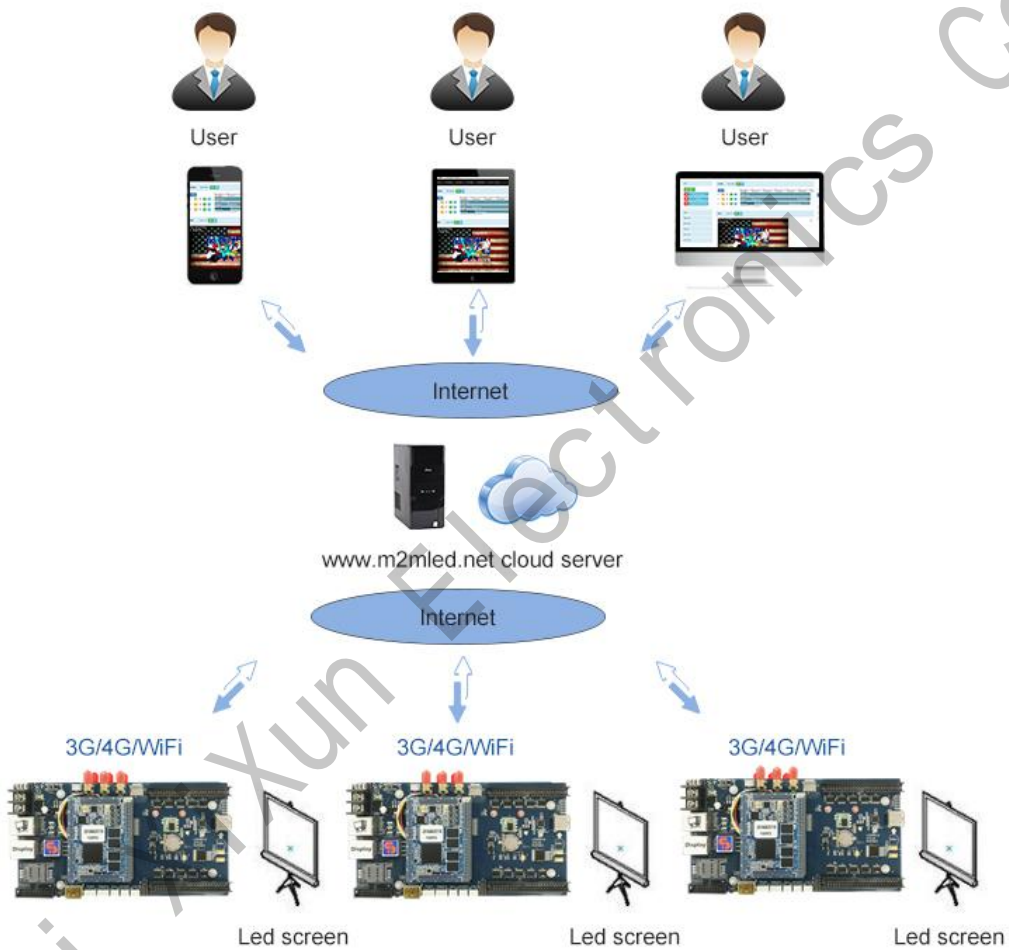
6 Interface Diagram

Y30 is a powerful and multifunctional asynchronous controller which has various ports on board, please refer to the picture below, we covered other parts of the controller to avoid the unnecessary distraction



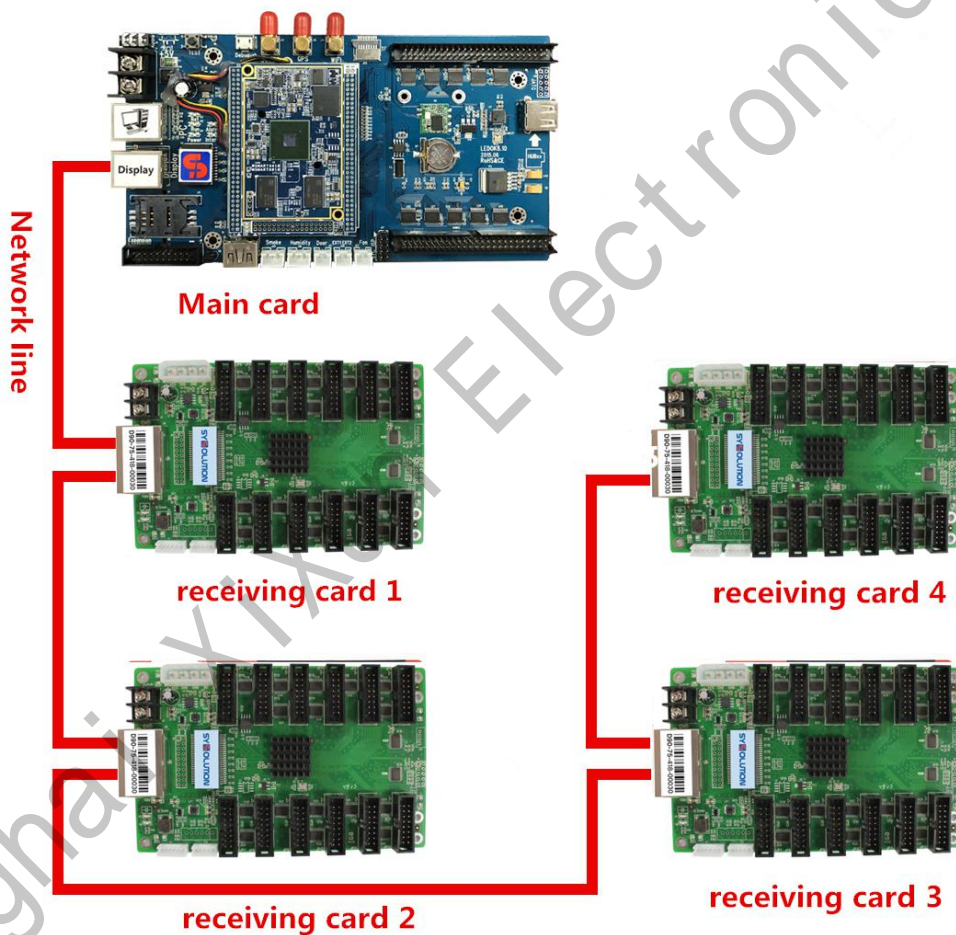
Y30 Interface Diagram

7 Topological Graph



Topological Draph

8 Connection between Y30 and receiving cards

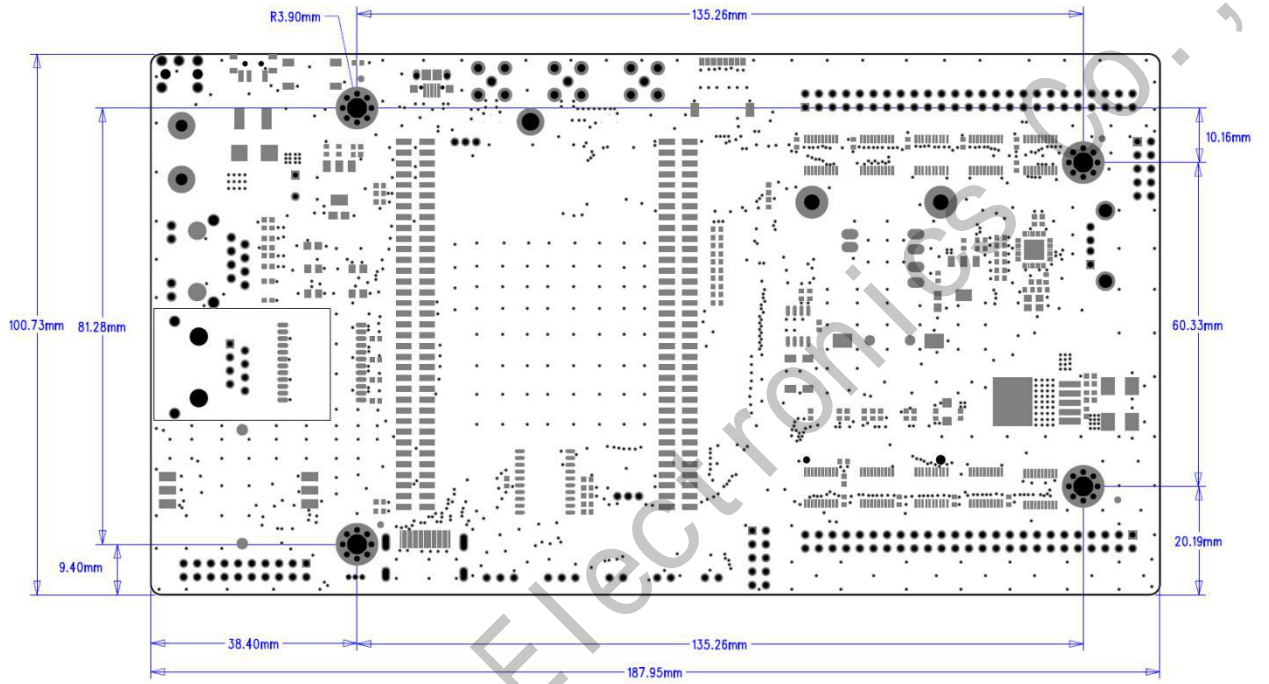


Connection between Y30 and receiving cards

9 Operation Condition

Operation Condition	
Working voltage (V)	4.8 ~ 6
Maximum working current (A)	2
Maximum working consumption(W)	10
Working temperature(°C)	- 30 ~ + 75
Dimension(cm)	18.8×10.1×2.5
Weight(g)	138

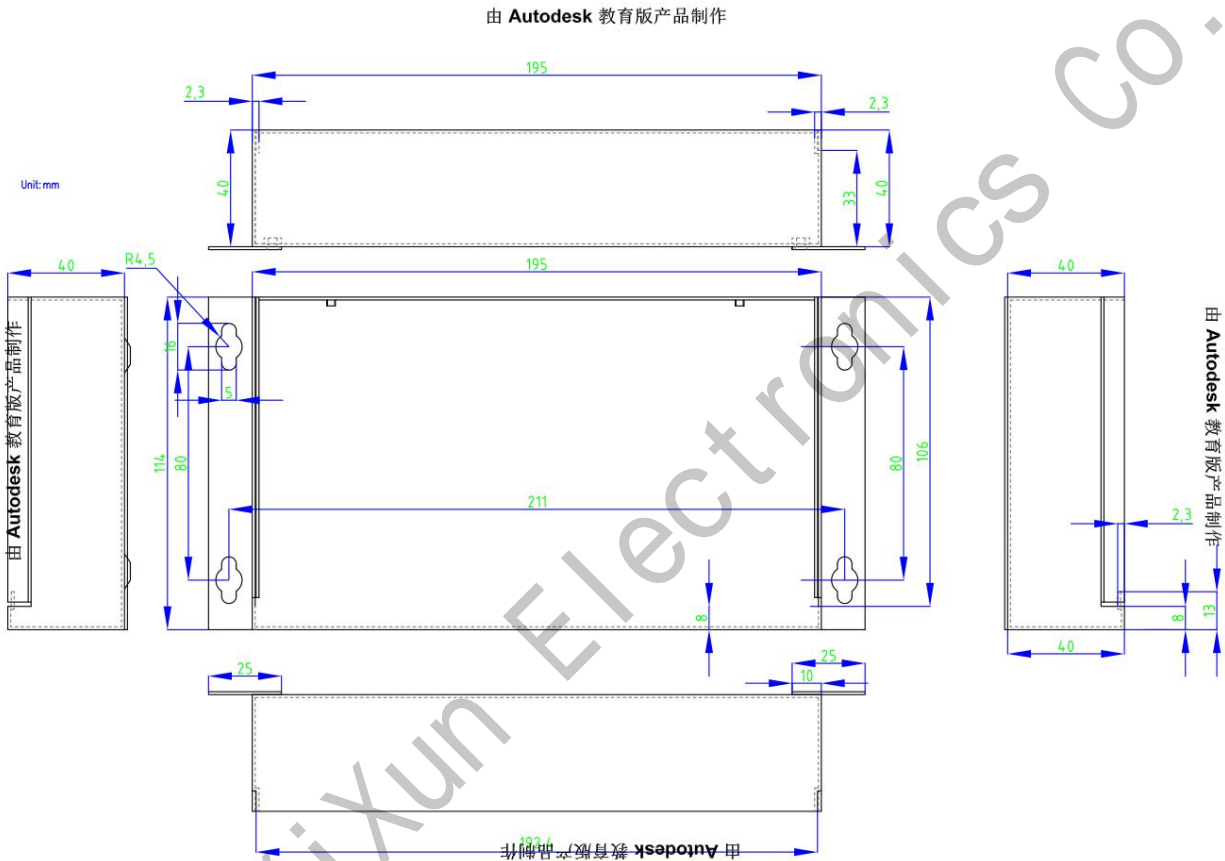
10 Dimension



Unit: mm

Shanghai XiXun Electronics Co., Ltd.

11 Box Dimension



Unit: mm

12 Accessories

Standard Accessories	Size/Quantity
Wifi Sucker antenna	3m*1
3G Sucker antenna	3m*1

(If you need other accessories, please place an order)

Optional Accessories	Accessories features
Multi-function card R36	Optional Brightness probe RL1、Temperature probe RT1、 Humidity probe RH1
Lora Synchronization module RS3	Optional Brightness probe RL1、Temperature probe RT1、 Humidity probe RH1、 433 Synchronous sucker antenna 4m

Matched Accessories (Optional, additional models are available according to the order)

13 Cautions

1. Strictly prohibited to plug SIM card.
2. Strictly prohibited to plug PCIE module.
3. Strictly prohibited to plug HUB controller
4. Strictly Prohibited to Plug Antenna.
5. Try not to touch the chip and pin on the controller to prevent static electricity damage.

